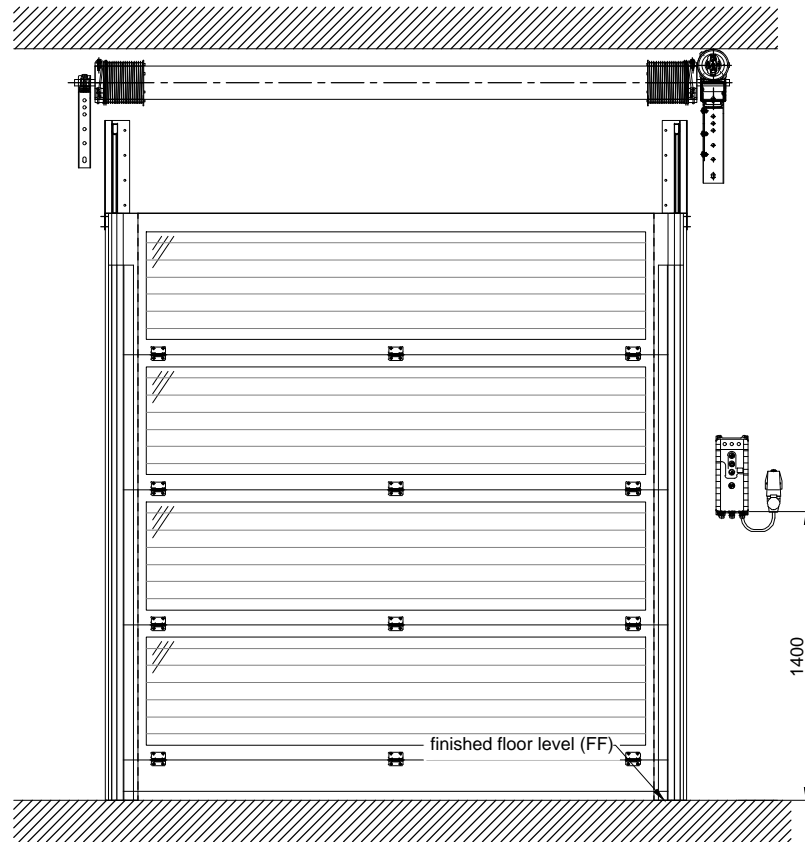
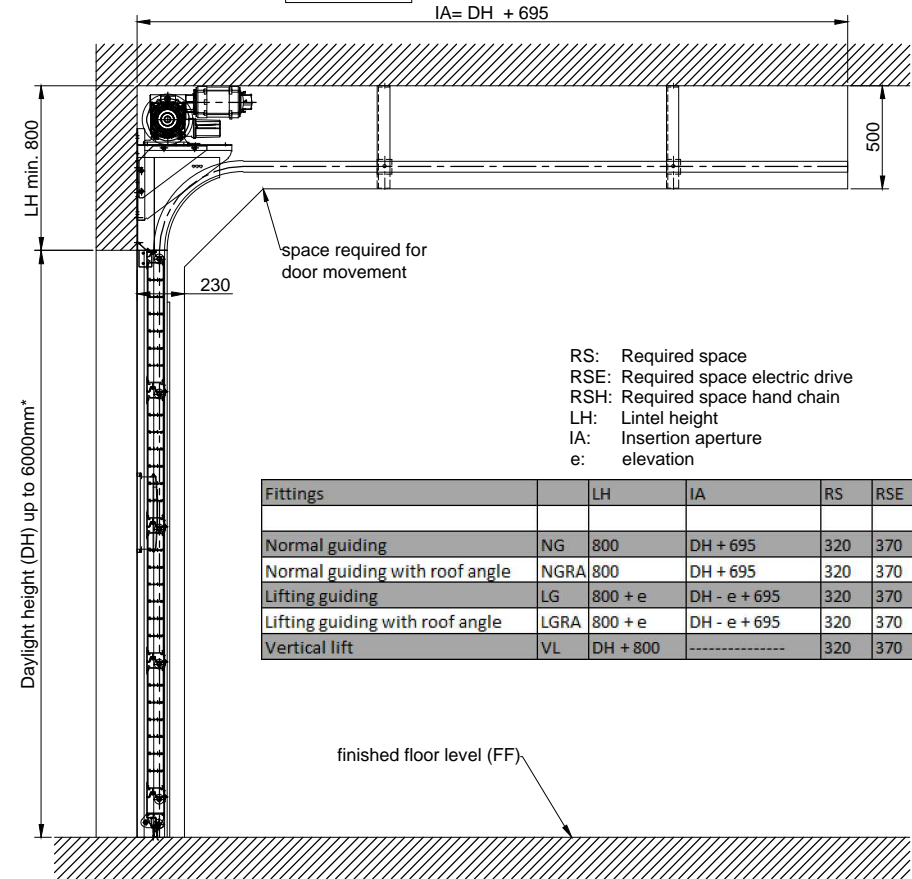


# Polycarbonate Sectional Door 80

General inside view



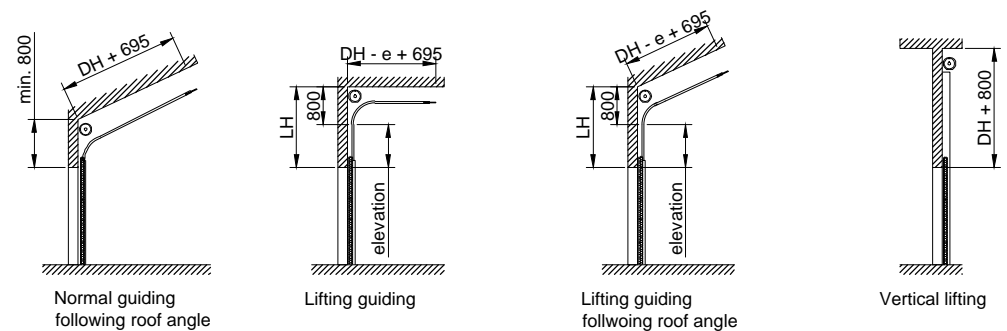
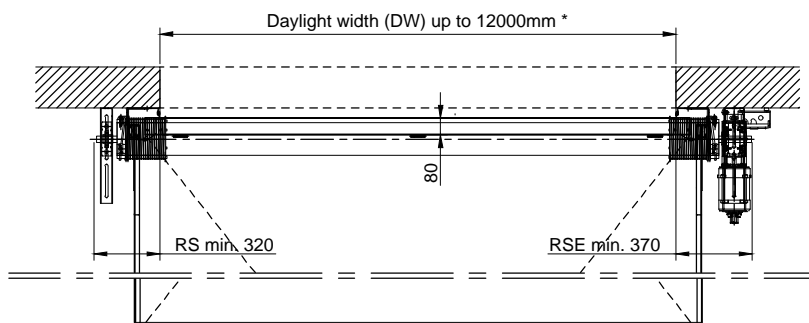
Vertical section



- RS: Required space
- RSE: Required space electric drive
- RSH: Required space hand chain
- LH: Lintel height
- IA: Insertion aperture
- e: elevation

Fittings		LH	IA	RS	RSE	RSH
Normal guiding	NG	800	DH + 695	320	370	
Normal guiding with roof angle	NGRA	800	DH + 695	320	370	
Lifting guiding	LG	800 + e	DH - e + 695	320	370	
Lifting guiding with roof angle	LGRA	800 + e	DH - e + 695	320	370	
Vertical lift	VL	DH + 800	-----	320	370	

Horizontal section



\*Deviating dimensions on request

All information and illustrations without obligation. Technical changes reserved. Deviating dimensions on request.

