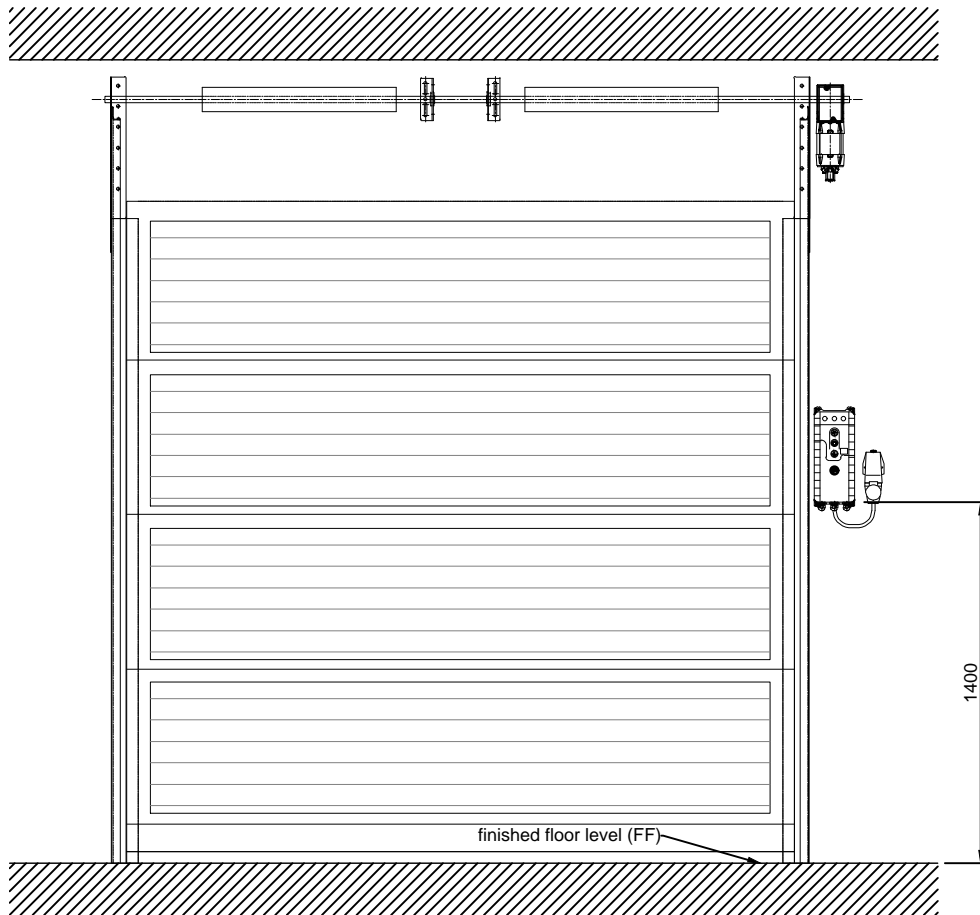
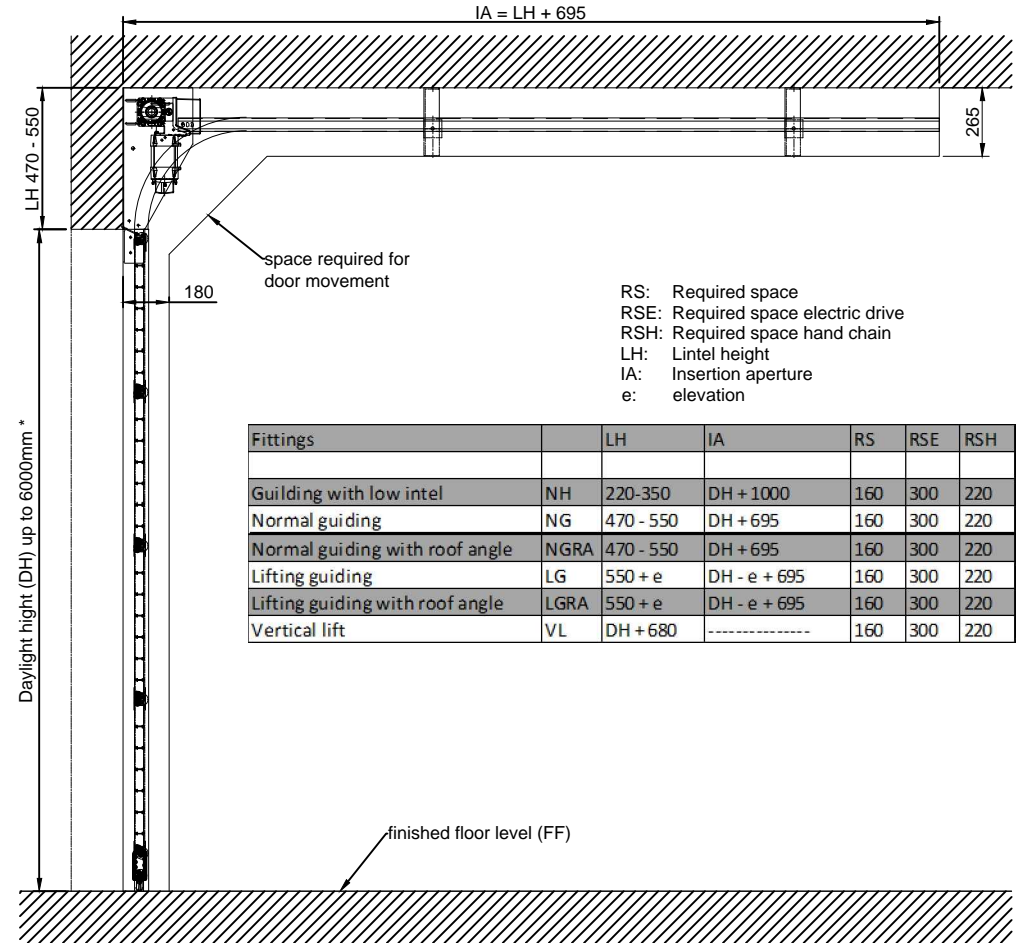


Polycarbonate Sectional Door SunLine 44

General inside view



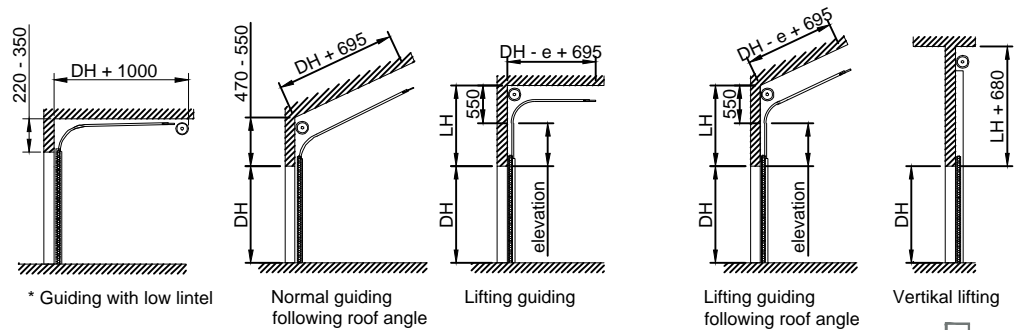
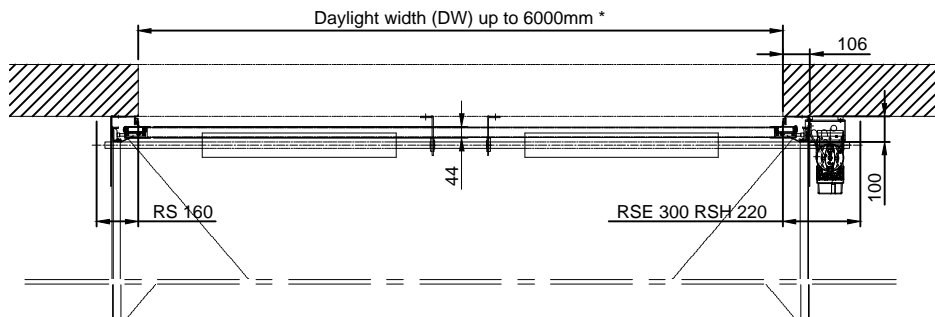
Vertical section



RS: Required space
 RSE: Required space electric drive
 RSH: Required space hand chain
 LH: Lintel height
 IA: Insertion aperture
 e: elevation

Fittings		LH	IA	RS	RSE	RSH
Guiding with low intel	NH	220-350	DH + 1000	160	300	220
Normal guiding	NG	470 - 550	DH + 695	160	300	220
Normal guiding with roof angle	NGRA	470 - 550	DH + 695	160	300	220
Lifting guiding	LG	550 + e	DH - e + 695	160	300	220
Lifting guiding with roof angle	LGRA	550 + e	DH - e + 695	160	300	220
Vertical lift	VL	DH + 680	-----	160	300	220

Horizontal section



* Guiding with low lintel

Normal guiding following roof angle

Lifting guiding

Lifting guiding following roof angle

Vertical lifting

* Deviating dimensions on request

All information and illustrations without obligation. Technical changes reserved. Deviating dimensions on request.

